

with Installation Instructions

Owner's Manual

Banks Monster[®] Exhaust System

2012 Chevy/GMC 6.0L 2500HD Gas Crew Cab Short Bed

THIS MANUAL IS FOR USE WITH MONSTER EXHAUST SYSTEM 48353

Gale Banks Engineering
546 Duggan Avenue • Azusa, CA 91702
(626) 969-9600 • Fax (626) 334-1743

Product Information & Sales: (888) 635-4565
Customer Support: (888) 839-5600
Installation Support: (888) 839-2700

bankspower.com



General Installation Practices

If you have any questions concerning the installation of your Banks Monster Exhaust System, please call our Technical Service Hotline at (888) 839-2700 between 7:00 am and 4:00 pm (PT). If you have any questions relating to shipping or billing, please contact our Customer Service Department at (888) 839-5600.

Thank you.

1. Before starting work, familiarize yourself with the installation procedure by reading all of the instructions.
2. The exploded view (**Figure 1**) provides only general guidance. Refer to each step and section diagram in this manual for proper instruction.
3. Throughout this manual, the left side of the vehicle refers to the driver's side, and the right side to the passenger's side.
4. Disconnect the negative (ground) cable from the battery (or batteries, if there are two) before beginning work.
5. Route and tie wires and hoses a minimum of 6" away from exhaust heat, moving parts and sharp edges. Clearance of 8" or more is recommended where possible.
6. When raising the vehicle, support it on properly weight-rated safety stands, ramps or a commercial hoist. Follow the manufacturer's safety precautions. Take care to balance the vehicle to prevent it from slipping or falling. When using ramps, be sure the

front wheels are centered squarely on the topsides. When raising the front of the vehicle, put the transmission in park, set the parking brake, and block the rear wheels. When raising the back of the vehicle, be sure the vehicle is on level ground and the front wheels are blocked securely.

CAUTION! Do not use floor jacks to support the vehicle while working under it. Do not raise the vehicle onto concrete blocks, masonry or any other item not intended specifically for this use.

7. During installation, keep the work area clean. Do not allow anything to be dropped into intake, exhaust, or lubrication system components while performing the installation, as foreign objects will cause immediate engine damage upon start-up.

Tools Required:

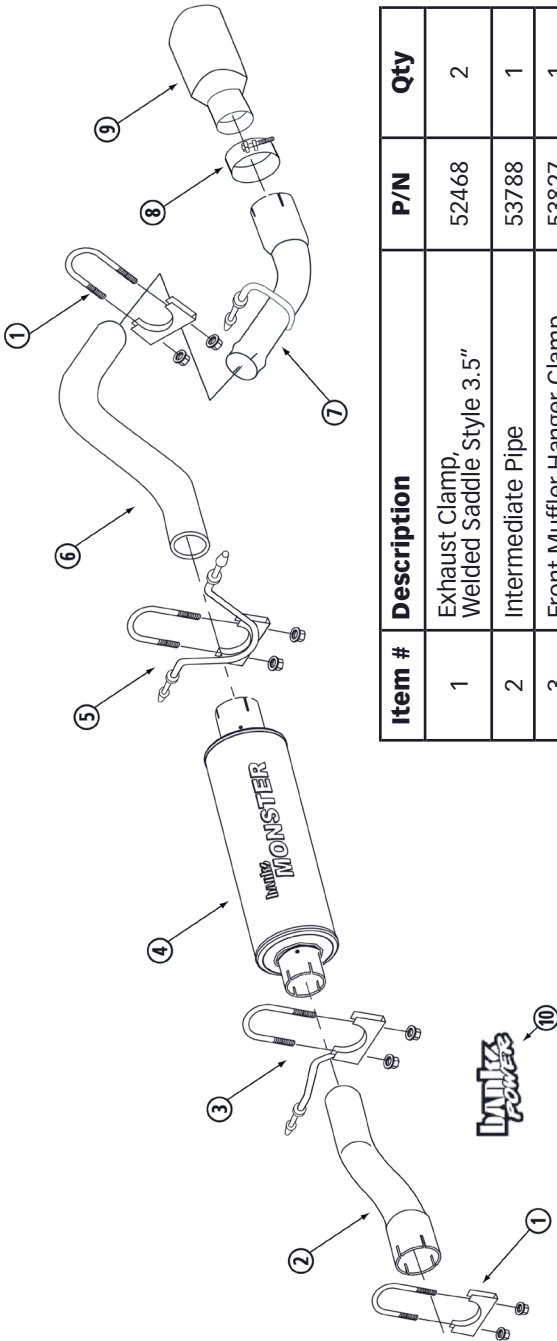
- 1/2" and 3/8" drive ratchets with standard and metric sockets and 1/2" and 3/8" drive extension
- Standard and metric combination or open-end wrenches
- Standard screwdriver
- Clean shop towels or rags
- Pry-bar
- Reciprocating saw

Highly recommended tools and supplies:

- Foot-pound torque wrench
- Penetrating oil or light lubricant spray

General Assembly

Figure 1



Item #	Description	P/N	Qty
1	Exhaust Clamp, Welded Saddle Style 3.5"	52468	2
2	Intermediate Pipe	53788	1
3	Front Muffler Hanger Clamp	53827	1
4	Monster Muffler	54008	1
5	Rear Muffler Hanger Clamp	53828	1
6	Tailpipe, Front	53823	1
7	Tailpipe, Rear	53829	1
8	Exhaust Clamp, Band Style 3.5"	52497	1
9	Tailpipe Tip	52718	1
10	Banks Urocal	96009	2

Monster Exhaust System Installation

1. Disconnect the negative (ground) cable from the battery (if there is more than one battery, disconnect both negative cables). Secure the cable so it cannot accidentally come in contact with the post.

2. Raise the vehicle and support it securely with properly weight-rated safety stands, ramps or a commercial hoist. Take care to balance the vehicle to prevent it from slipping or falling. When using ramps, be sure the wheels are centered squarely on the topsides. Place the transmission in park (automatic), set the parking brake and securely block the wheels that are on the ground.

CAUTION: DO NOT WORK UNDER ANY VEHICLE SUPPORTED ONLY BY A JACK. SEVERE INJURY MAY RESULT.

WARNING! The following step may require the use of a torch and/or saw. Proper safety equipment should be used. Failure to use proper safety equipment may result in severe injury.

3. Measure 25 inches on the factory exhaust intermediate pipe from the rear round tube cross member going to the rear of the vehicle and mark the location.

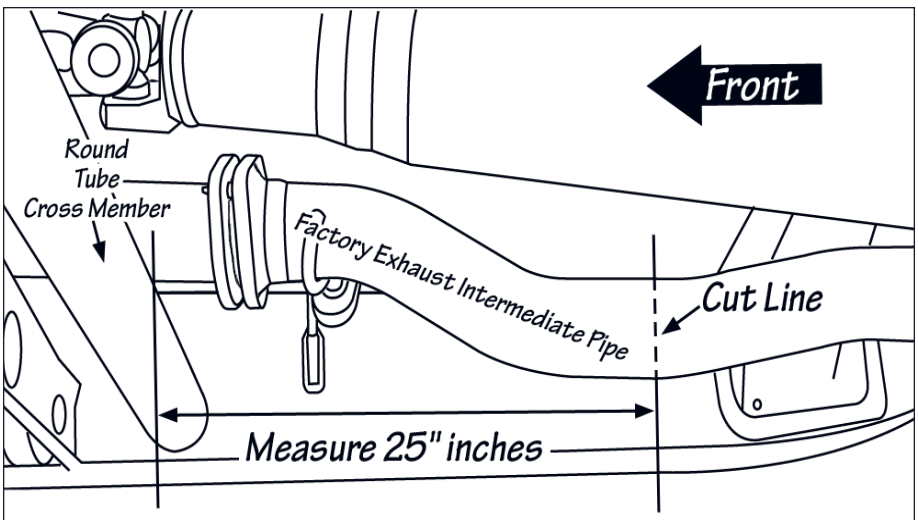
Using a reciprocating saw cut the intermediate pipe at the marked location. Take time when measuring and cutting the factory intermediate pipe to ensure the proper location and a straight cut. Improper cut will result in poor fitment of the Banks Monster exhaust system (see **Figure 2**).

4. Remove the front and rear muffler hanger pins and tailpipe hanger pin from the vehicle's rubber hangers. Remove the tailpipe, muffler and intermediate pipe assembly from the vehicle.

NOTE: Spray lubricant may assist in hanger pin removal. Rubber hangers can also be removed from the vehicle to assist in tailpipe / muffler removal.

5. Install a 3-1/2" clamp on the previously cut factory intermediate pipe outlet. Install the Banks

Figure 2



Intermediate pipe onto the previously cut pipe outlet. Be sure the intermediate pipe jog is orientated with the jog going up towards the cab. Lightly tighten the 3- $\frac{1}{2}$ " clamp on the intermediate pipe inlet. (see **Figure 3**).

NOTE: All clamps should be positioned at the beginning of the slots (on the $\frac{1}{2}$ circle punch).

NOTE: Once the pipe / muffler has been completely engaged in the slip joint, mark the pipe with a scribe or tape for reference when tightening the clamps later in the installation. Mark each slip joint in this fashion.

6. Install the front muffler hanger clamp onto the Intermediate pipe outlet.

7. Install the Monster Muffler inlet (Note the inlet labeling of the muffler) onto the intermediate pipe outlet. Orient the Monster logo such that it is visible from the passenger side and parallel with the frame rail. Align the

hanger clamp onto the muffler inlet (see **Figure 3**).

8. Install the rear muffler dual hanger clamp onto the Monster Muffler outlet. Insert the hanger pins into the vehicles rubber hangers (see **Figure 4**).

9. From the vehicle rear, route the tailpipe over the rear end. Install the tailpipe into the Banks Muffler outlet. Start the tailpipe hanger pin into the corresponding vehicle rubber hanger. Lightly tighten the rear muffler hanger clamp to secure the tailpipe.

10. Adjust the tip about $\frac{1}{2}$ " under the body panel, such that the tip position is aesthetically pleasing.

11. Adjust each of the pipes to ensure that all of the hanger pins are parallel with the frame mounted pins and that the rubber hangers are all positioned slightly forward (See **Figure 5**). This allows the hangers to be properly positioned once the exhaust reaches operating temperature.

Figure 3

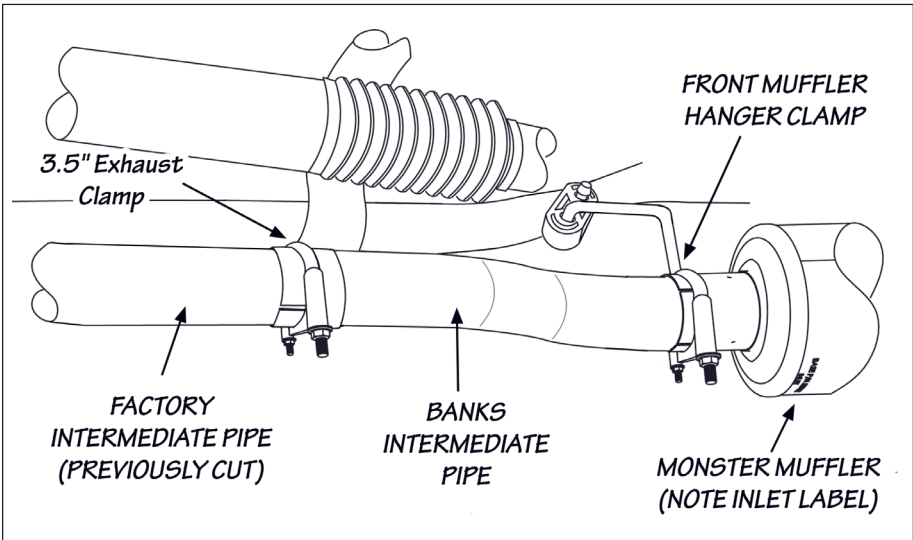
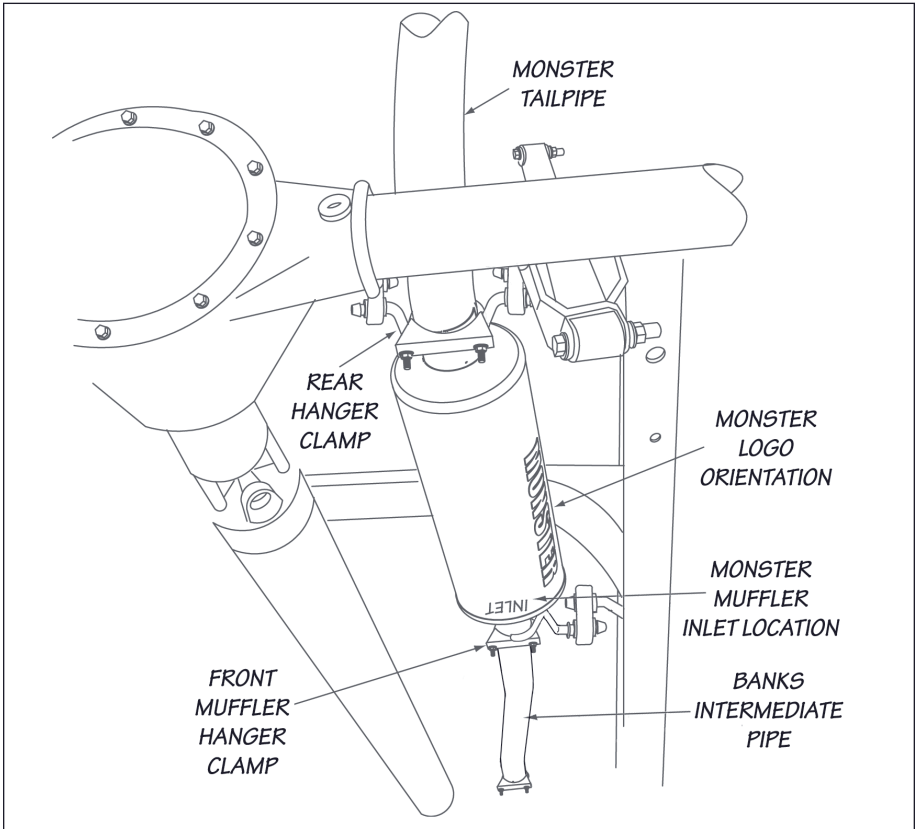


Figure 4



12. With the exhaust positioned properly, begin to evenly tighten the clamps starting with the ones closest to the front of the vehicle and working your way back. Torque the exhaust clamps evenly to 35 ft-lbs. Make sure that each slip is fully inserted (+/-1/4").

13. Remove the protective covering from the tailpipe tip.

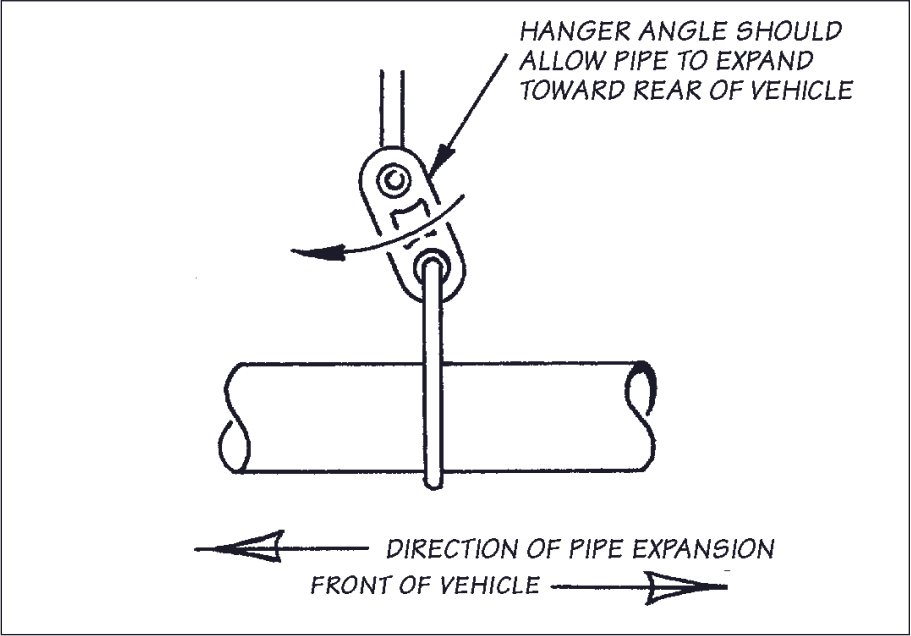
CAUTION: THE PROTECTIVE COVERING MAY IGNITE AND BURN IF NOT REMOVED PRIOR TO RUNNING THE ENGINE.

14. Your system includes two (2) Banks Power logos designed to complement the vehicle's emblems on the passenger and driver side doors. The BanksPower decal can be placed 1/4" above the emblems.

15. Re-connect the negative battery cable. Start the engine and listen for exhaust leaks. Tighten the exhaust clamps as necessary. Whenever possible, tack weld slip connections to prevent disengagement is recommended.

16. The Banks Monster Exhaust installation is now complete.

Figure 5



Gale Banks Engineering
546 Duggan Avenue • Azusa, CA 91702
(626) 969-9600 • Fax (626) 334-1743

Product Information & Sales: (888) 635-4565
Customer Support: (888) 839-5600
Installation Support: (888) 839-2700

bankspower.com